



Product Installation Guide

Connect Tiaa

High-performance ELV interior LED cove



Pre-installation notes

Must be installed by a qualified electrician in accordance with all national and local electrical and construction codes and regulations by a person familiar with the construction and operation of the product and the hazards involved.

Failure to comply with the following installation instructions will void the warranty and may result in serious injury or possible death. Ensure power is off before installation, verify electrical plan first and read all installation instructions prior to installation.

Do not attempt to install or use the product until installation is fully read and understood.

Do not use the product if lens or power cables are damaged.

Do not use currents or voltages of any kind that do not fit under the product's requirements.

Not compatible with voltage step down devices/voltage converters/buck converter.

Make sure that power or cable is completely off or disconnected before connecting or disconnecting the product.

Must be wired on its own dedicated lighting circuit.

Do not share the same lighting circuit with motors, fans or computers as this may cause flickering of the fixture.

Only use compatible dimmers.

If a fixture is not working, please remove from service.

Do not coat the product in paint! This will ruin the product and void warranty. Please make sure to install in accordance with the local code.

No serviceable parts - Do not disassemble.

Do not hot swap fixtures.

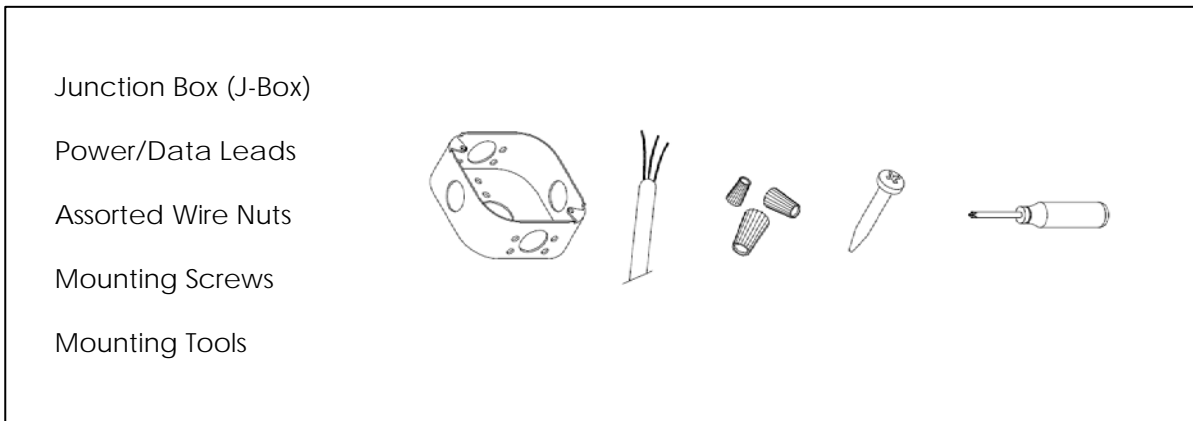
Do not open fixtures as they are line voltage and could cause a shock.

Must use terminator.

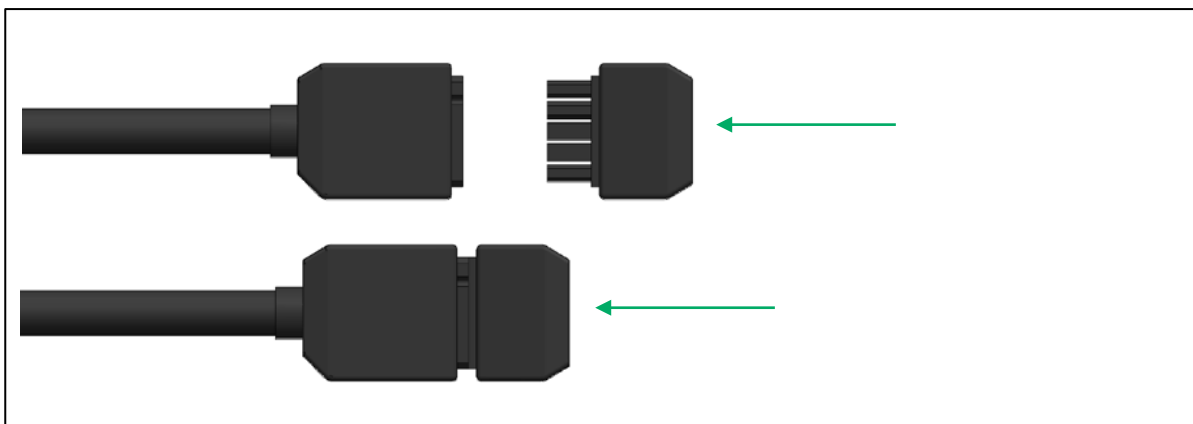
Do not stare into beam.

Pre-installation

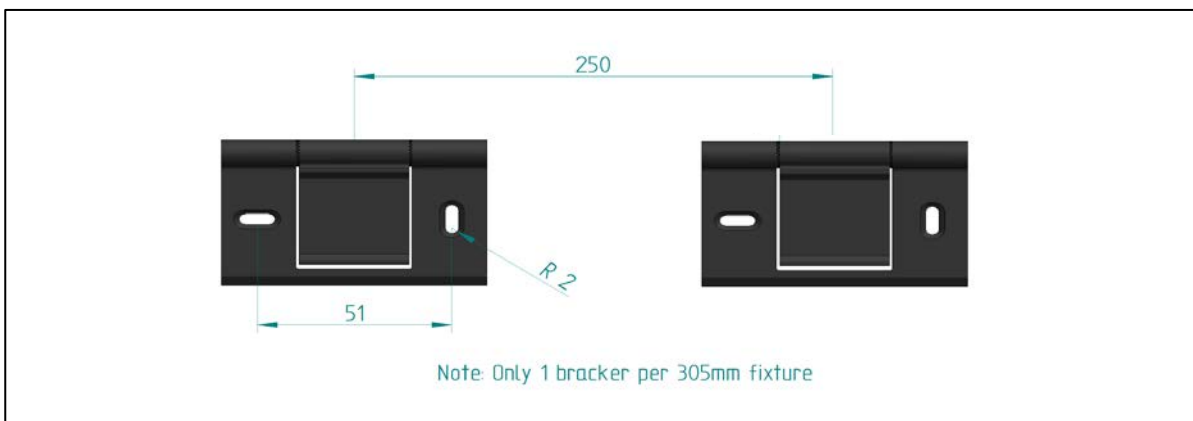
Provided by others



Termination

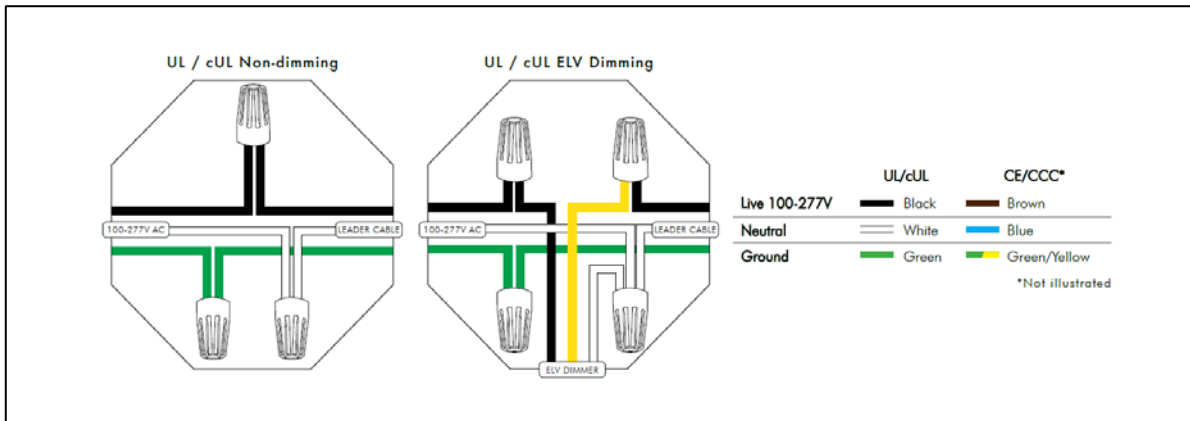


Mounting

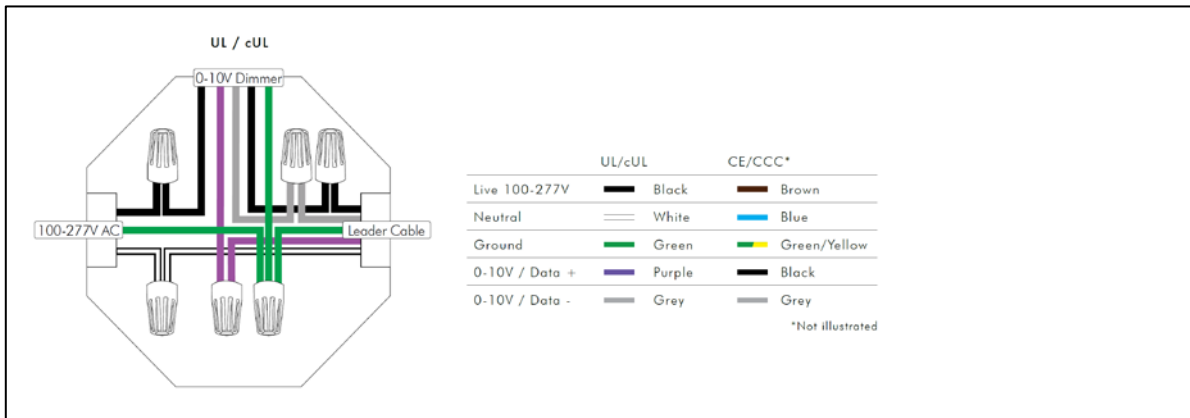


Pre-installation cont...

Wiring (Non-dimming & ELV dimming)



Wiring (0-10V & DMX dimming)



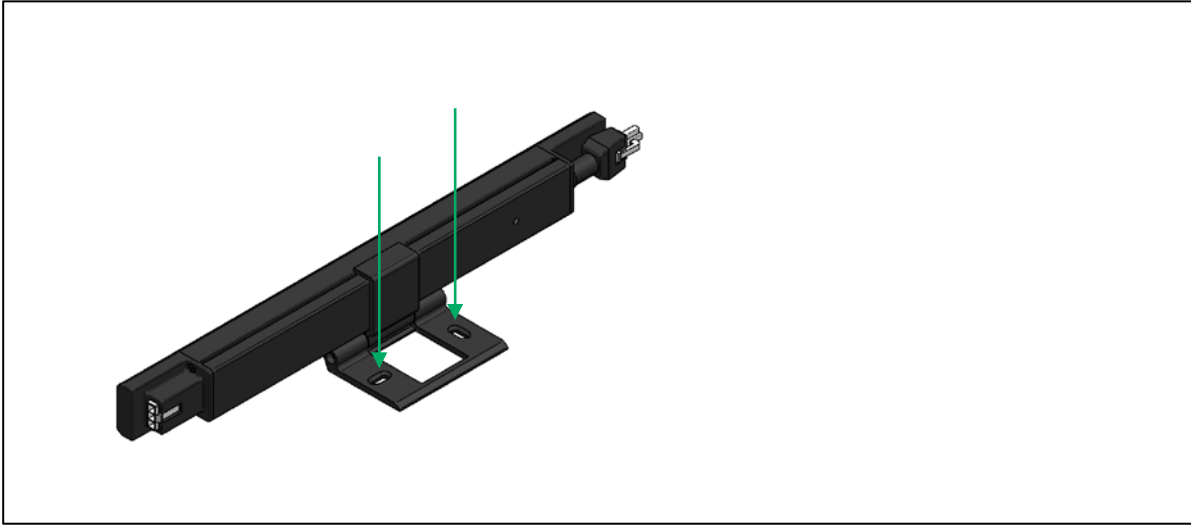
Must be installed by a qualified electrician in accordance with all national and local electrical and construction codes and regulations by a person familiar with the construction and operation of the product and the hazards involved.

Make sure that power or cable is completely off or disconnected before connecting or disconnecting the product.

Installation

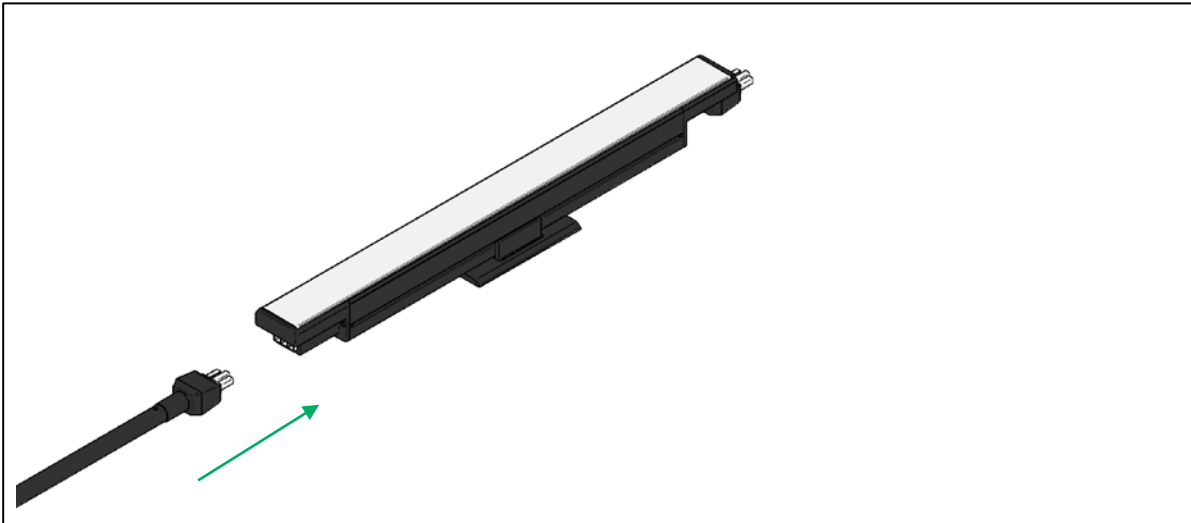
Install Fixture

Mount fixture to mounting surface using (2x) #8 mounting fasteners per mounting bracket (by others)
(See 'Mounting Dimensions').



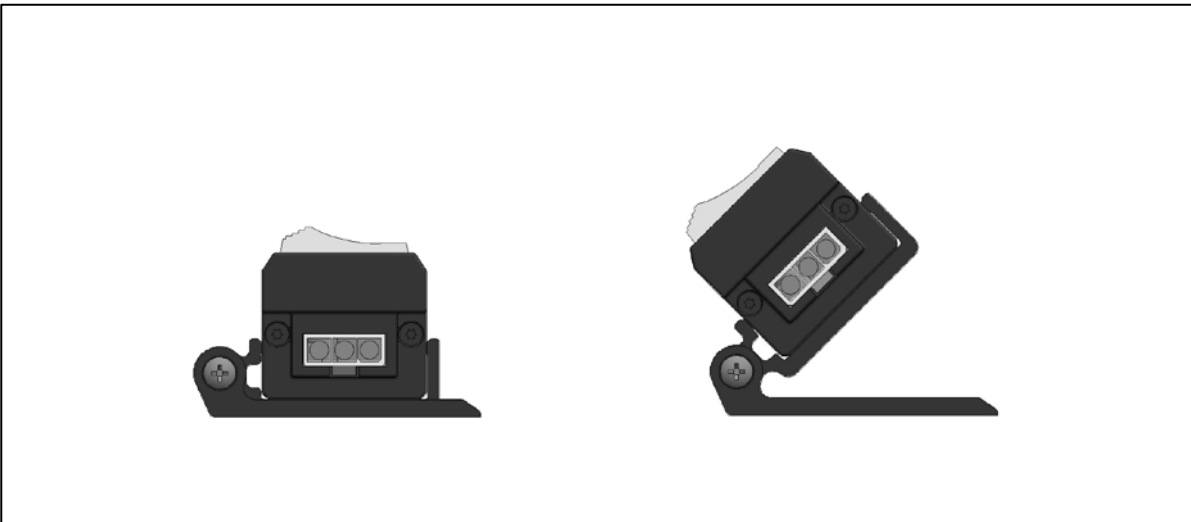
Electrical Connections

Connect fixture cable to leader cable. Make all electrical connections as per any local and/or NEC codes.



Final Adjustments

Push down on fixture to release locking mechanism on mounting bracket. Rotate to desired rotation and then release to lock rotation.



Installation cont...

Multiple Fixture Run's

Install all fixtures to mounting surface per steps 1-3. Fixtures can be mounted side by side. Connect power cables together. If necessary, use a jumper cable to connect fixtures together.



Multiple Fixture Run's

Maximum run length

Voltage	Luminaire: 1219mm	Luminaire: 305mm
100VAC	24m	18m
220VAC	48m	36m
277VAC	58m	44m