



Must be installed by a qualified electrician in accordance with all national and local electrical and construction codes and regulations by a person familiar with the construction and operation of the product and the hazards involved.

Failure to comply with the following installation instructions will void the warranty and may result in serious injury or possible death. Ensure power is off before installation, verify electrical plan first and read all installation instructions prior to installation.

Do not attempt to install or use the product until installation is fully read and understood.

Do not use the product if lens or power cables are damaged.

Do not use currents or voltages of any kind that do not fit under the product's requirements.

Not compatible with voltage step down devices/voltage converters/buck converter.

Make sure that power or cable is completely off or disconnected before connecting or disconnecting the product.

Must be wired on its own dedicated lighting circuit.

Do not share the same lighting circuit with motors, fans or computers as this may cause flickering of the fixture.

Only use compatible dimmers.

If a fixture is not working, please remove from service.

Do not coat the product in paint! This will ruin the product and void warranty. Please make sure to install in accordance with the local code.

No serviceable parts - Do not disassemble.

Do not hot swap fixtures.

Do not open fixtures as they are line voltage and could cause a shock.

Must use terminator.

Do not stare into beam.

# Pre-installation

## Provided by others

Junction Box (J-Box)

Power/Data Leads

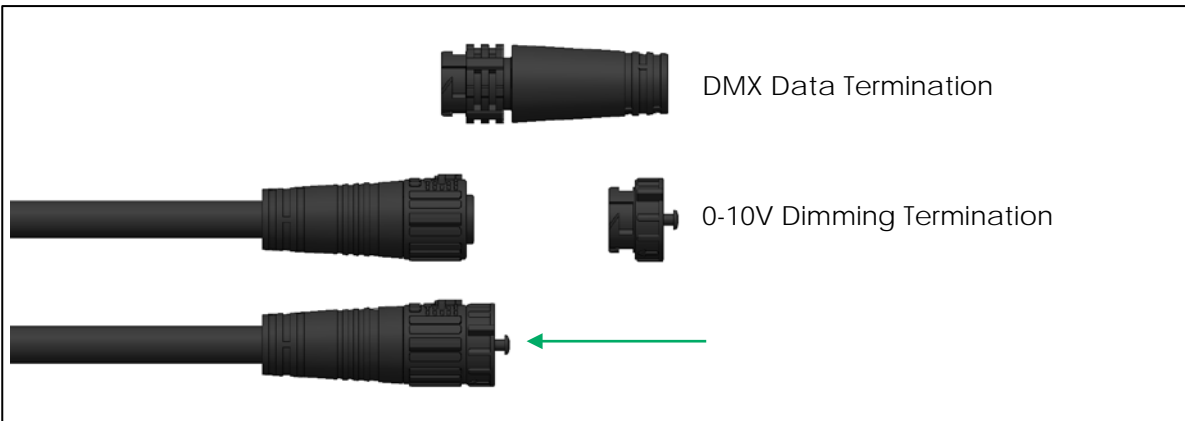
Assorted Wire Nuts

Mounting Screws

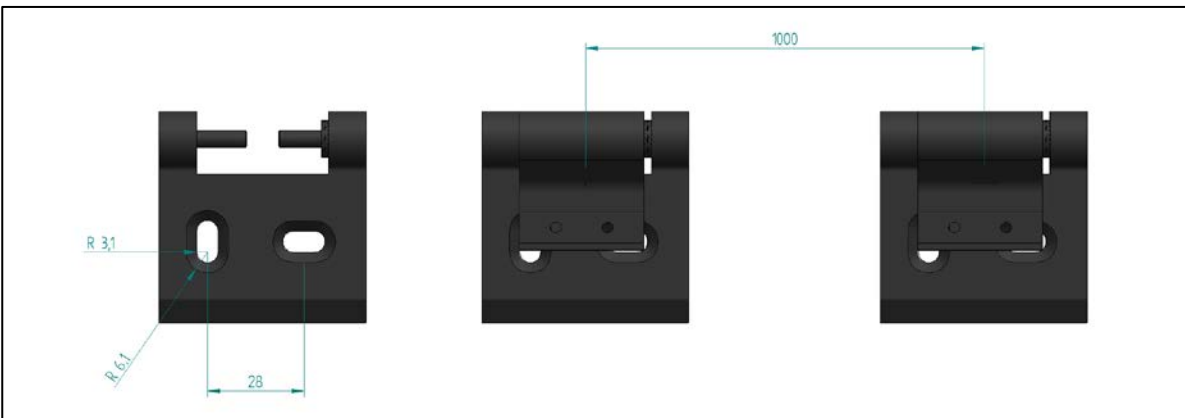
Mounting Tools



## Termination

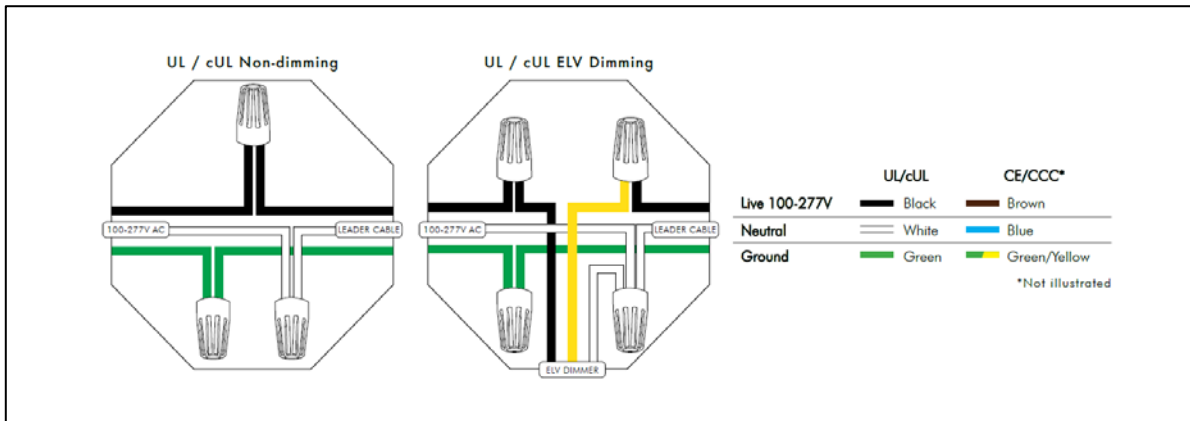


## Mounting

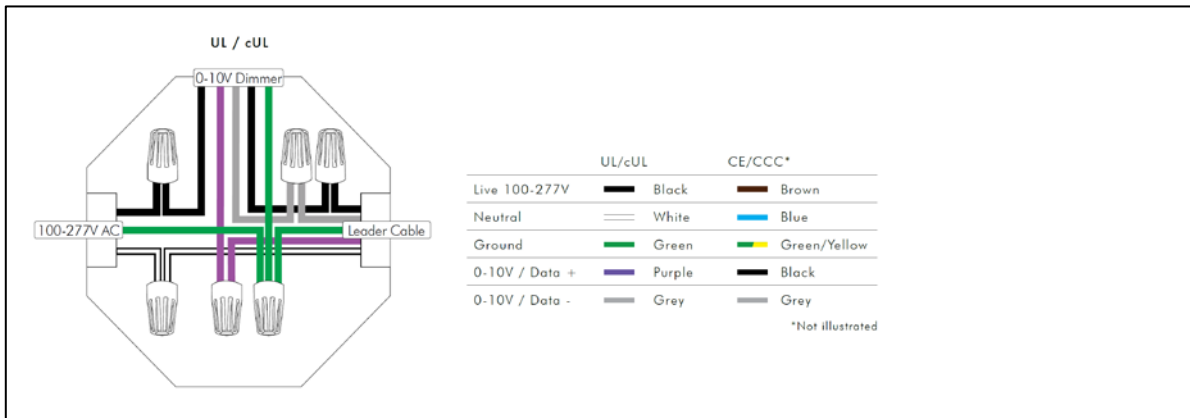


# Pre-installation cont...

## Wiring (Non-dimming & ELV dimming)



## Wiring (0-10V & DMX dimming)



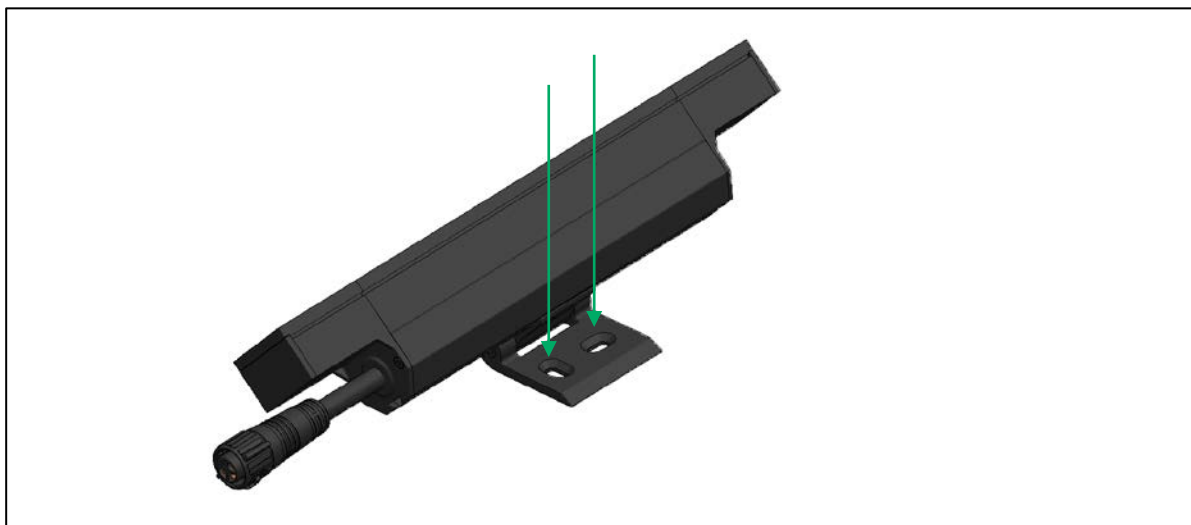
Must be installed by a qualified electrician in accordance with all national and local electrical and construction codes and regulations by a person familiar with the construction and operation of the product and the hazards involved.

Make sure that power or cable is completely off or disconnected before connecting or disconnecting the product.

# Installation

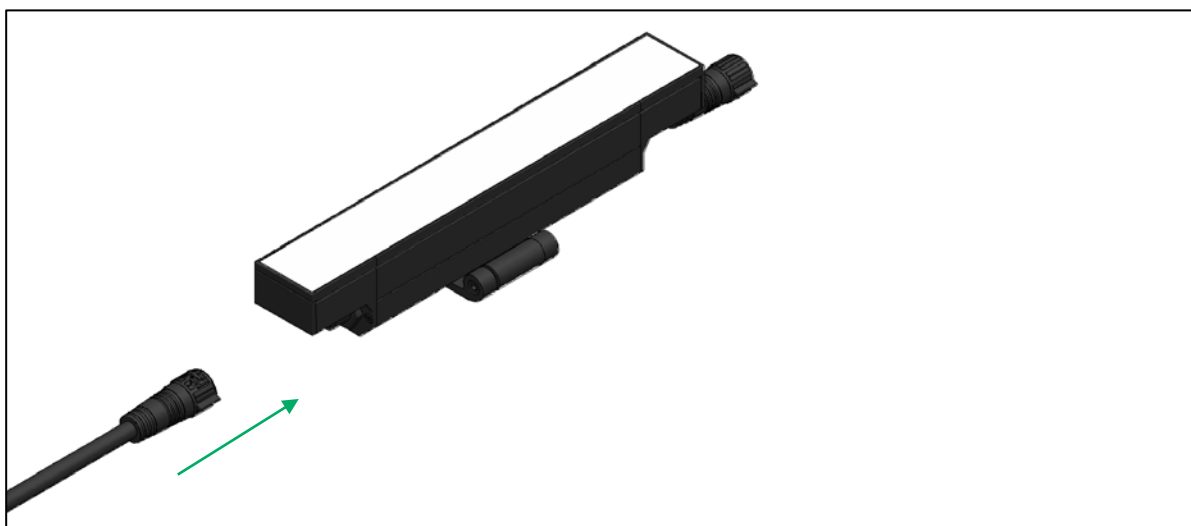
## Install Fixture

Mount fixture to mounting surface using (2x) #8 mounting fasteners per mounting bracket (by others)  
(See 'Mounting Dimensions').



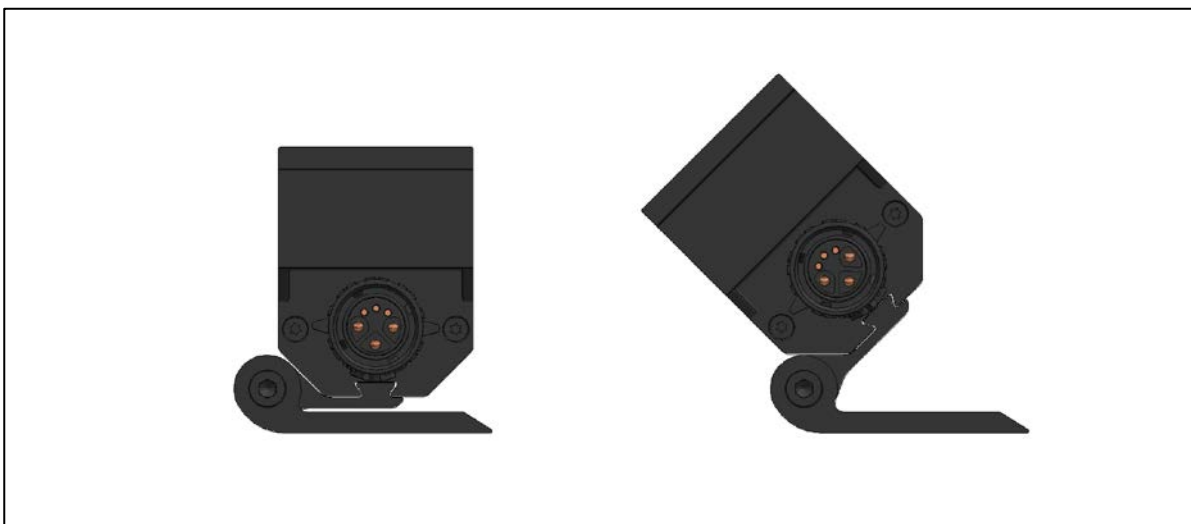
## Electrical Connections

Connect fixture cable to leader cable. Make all electrical connections as per any local and/or NEC codes.



## Final Adjustments

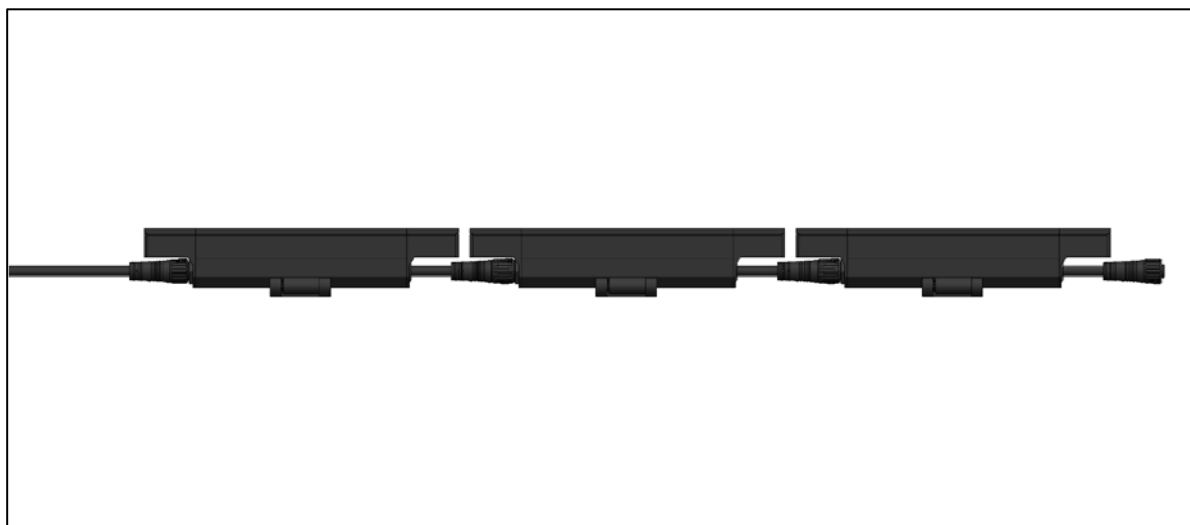
Loosen the bracket adjustment screw. Rotate to desired rotation and then tighten the bracket adjustment screw to secure.



# Installation cont...

## Multiple Fixture Run's

Install all fixtures to mounting surface per steps 1-3. Fixtures can be mounted side by side. Connect power cables together. If necessary, use a jumper cable to connect fixtures together.



## Multiple Fixture Run's

Maximum run length

<b>Voltage</b>	<b>Luminaire: 1219mm</b>	<b>Luminaire: 305mm</b>
120VAC	12m	10m
220VAC	24m	18m
277VAC	24m	20m