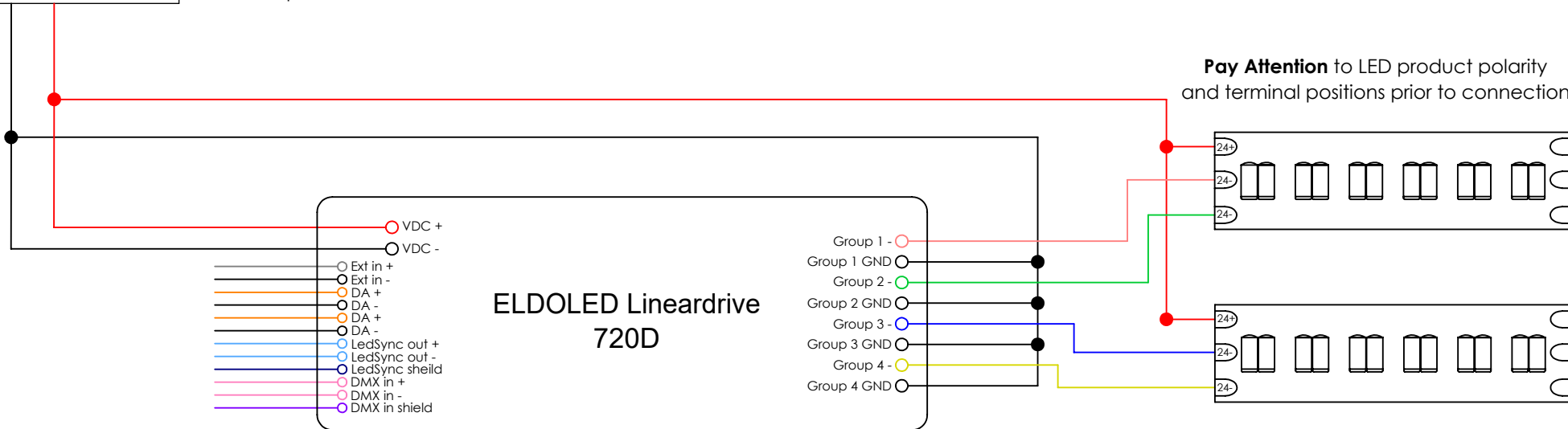


240-24v DC Power Supply
Recommended to load
to 90% max power ECP
or HLG Series

24v DC Power Supply

Power supply to
always dictate connected
load of product subject to
max output of interface.



Pay Attention to LED product polarity
and terminal positions prior to connection

Max 144W @24v per Channel.
IQ uses two channels so you can run
up to 288W over two channels.

IF ANYTHING ON THIS DRAWING IS NOT CLEAR, PLEASE CONTACT ARCHITECTURAL FX