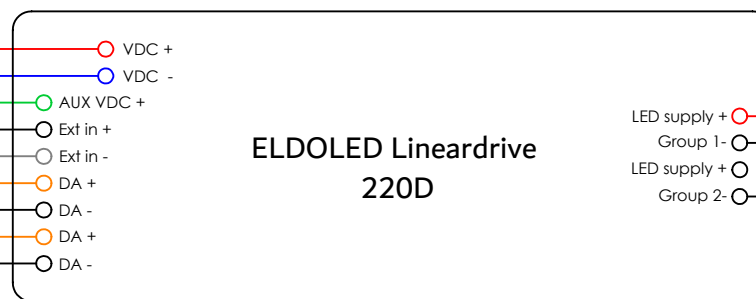
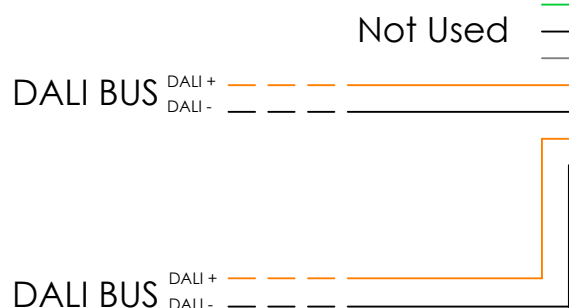


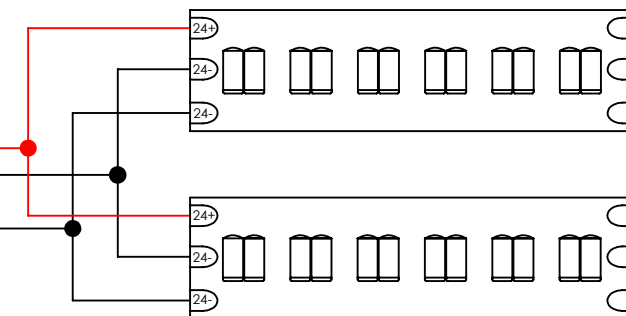
240-24v DC Power Supply
Recommended to load
to 90% max power ECP
or HLG Series



Power supply to
always dictate connected
load of product subject to
max output of interface.



Pay Attention to product polarity and
terminal positions prior to connection



Max 96W @24v per channel.
IQ uses two channels so you can
run up to 192W over two channels.

IF ANYTHING ON THIS DRAWING IS NOT CLEAR, PLEASE CONTACT ARCHITECTURAL FX