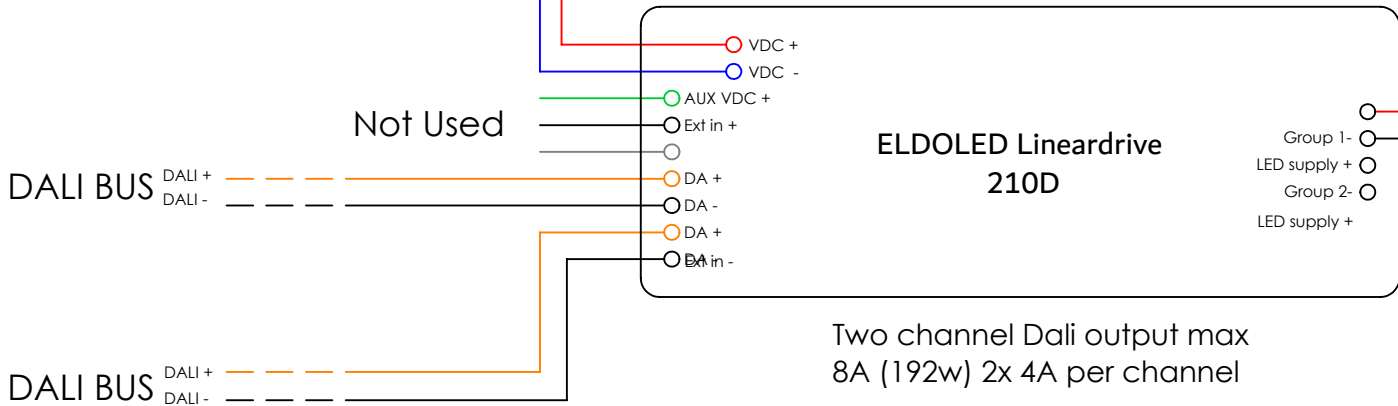


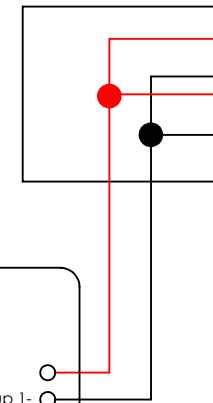
240-24v DC Power Supply
Recommended to load
to 90% of max power ECP
or HLG Series



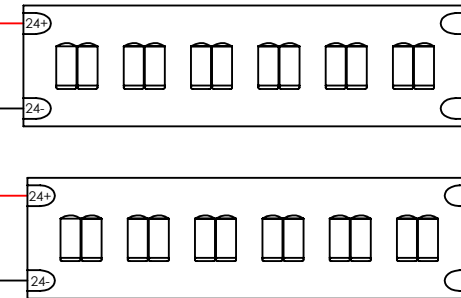
Power supply to
always dictate connected
load of product subject to
max output of interface.



Connector block or
Junction box for
parallel wiring



Pay Attention to product polarity and
terminal positions prior to connection



LED to max length determined by w/m

IF ANYTHING ON THIS DRAWING IS NOT CLEAR, PLEASE CONTACT ARCHITECTURAL FX